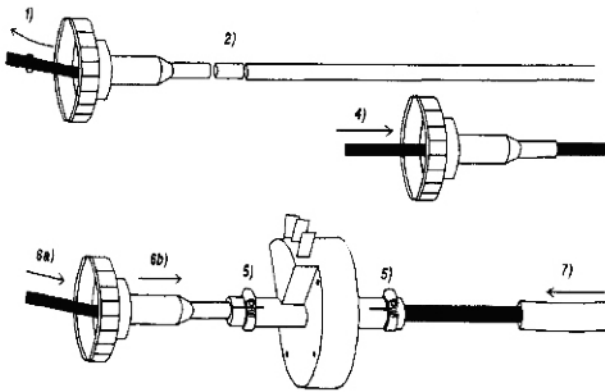




This plastic '5 pulses-per-rev' unit fits in the length of almost any speedometer cable, though some old cables require holes to be slightly enlarged due to larger than normal cable dimensions; and some modern speedometer cables need ingenuity to dismantle them as manufacturers seem to want to prevent customers from separating the inner from the outer. Generally with the so-called 'sealed' cables, a section of sheath from the centre of the cable should be removed first to obviate the fixing system used on the ends of the inner. Replacement lengths of sheath can always be put back in after the cable has been separated. Heat-shrink sleeve, particularly the type which is adhesive-lined makes easy repairs to segmented sheaths. To assist with fitting, a cross-section of the universal sensor is shown. Note that the rotor floats in air and puts no additional strain on the speedometer drive, but this construction demands that the sensor should not be subjected to 'end thrust' which could be produced by a worn cable, or being fitted on a bend in the cable. Modern sensors can be stripped to help with fitting in difficult cases. Connections are Brown to Brown (5v positive power), Blue to Blue (pulses); Green to Green (negative power).



1) Remove inner core. Cut through the outer sheath at the location of the sensor with a fine toothed hacksaw. 32 teeth/inch recommended.

2) Make a second cut through sheath to shorten the sheath by 1/2 inch (13mm).

3) Remove any burrs with a fine file.

4) Wipe off any excess grease and any metal debris from the inner and the outer, and re-insert the inner which has an enlarged end through its' section of sheath.

5) Place clamps (Jubilee clips or preferably screw type petrol hose clips) loosely on to both ends of the plastic sensor.

6) Insert the loose end of the speedometers cable inner into one end of the sensor and push very firmly through the sensor's internal friction bushing until the sheath section is fully seated in the sensor. If your speedometer cable sheath is of a smaller diameter than can be easily clamped by the sensor then build up the diameter of the sheath with adhesive aluminium tape. Tighten the clamps moderately.

Brantz BR52 pulse doubler for higher calibration figures.